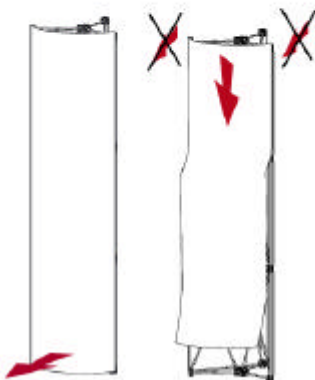
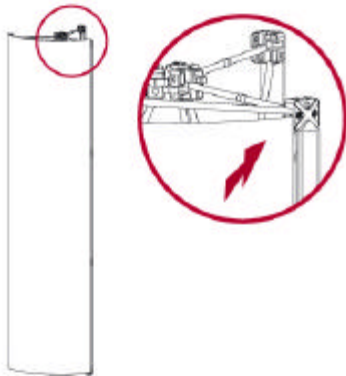


- Remove the structure from the packaging and place it on the floor, so that the hubs with hinges are on the top.
- Open the structure following the picture
- Connect the short magnetic lockers.

- Stand the structure up, so that the row of hubs with 3 magnets is at the top.

- Expand the structure to its full size following the picture.
- Connect the long magnetic lockers.



- Unwrap the magnetic bars and attach them to the magnets in the hubs. The structure is ready for installing the graphics.

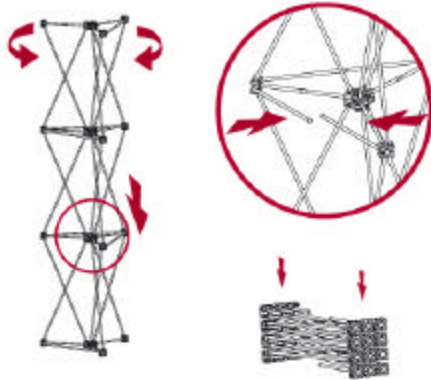
Never slide the magnetic bars on top of each other, it would damage the magnetic field!!!

- It is advisable to allow the graphic panels to lie flat for about 30 min. before placing onto the structure.
- The Graphic panels are attached by hanging the magnetic hanger onto the magnetic in the top row of hubs

Dismantling:

- When dismantling the panels, please follow the picture.

Always roll the graphic panels with the printed side outwards!!!



- When dismantling the structure the long magnetic lockers into the center and fold the structure following the picture.



Please note:

- A top desk is available for WWM Invent Tower T11. It is to be placed onto the metal on the rods on the top of the tower.



- To attach the lights use the triangular connector for lights.